

REVISIONS:

NO.	DATE:

SHEET TITLE:

EXTERIOR ELEVATIONS

DRAWING PHASE:

CONSTRUCTION DOCUMENTS

DRAWN: SAM CHECKED: KLM

DATE: SCALE: AS NOTED

ADDITION AND RENOVATION TO THE:

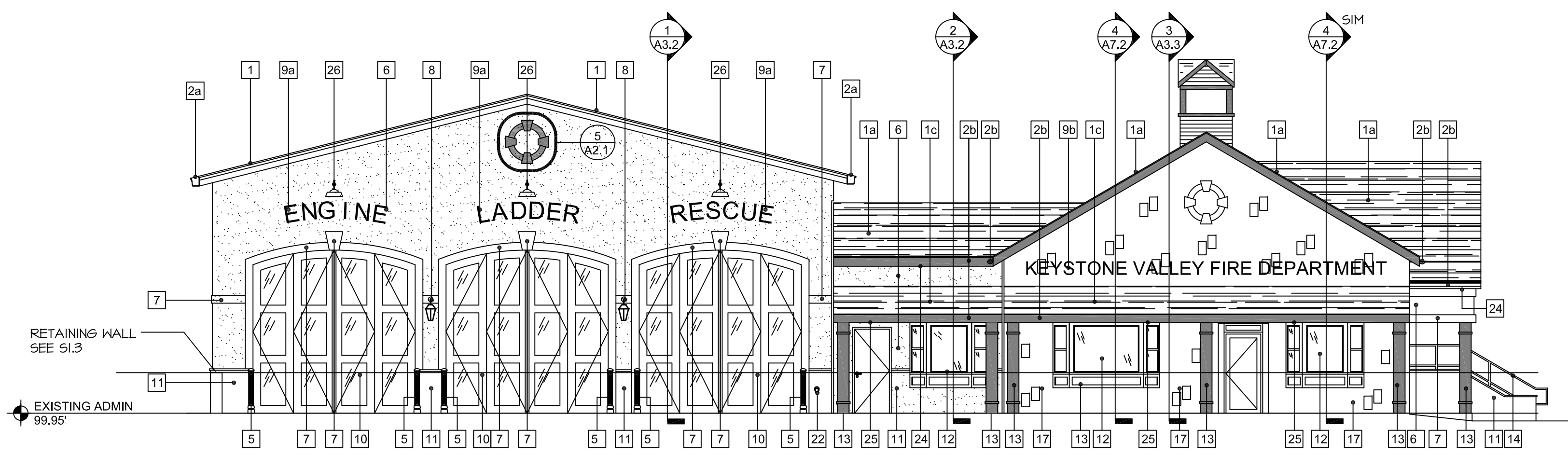
KEYSTONE VALLEY
FIRE DEPARTMENT
329 WEST 1ST AVE
PARKESBURG, PA 19365

JOB NUMBER:

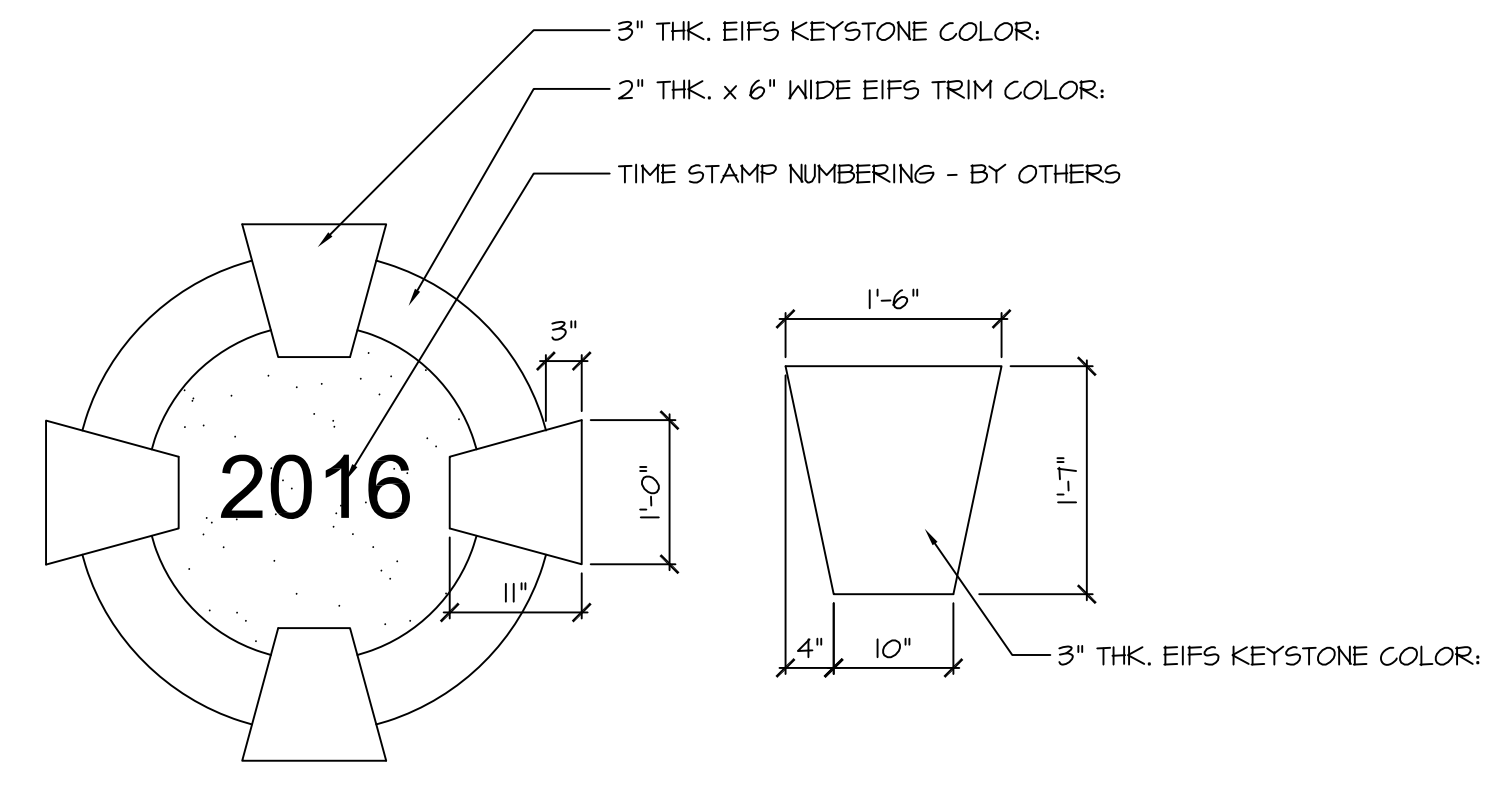
516

SHEET NUMBER:

A2.1



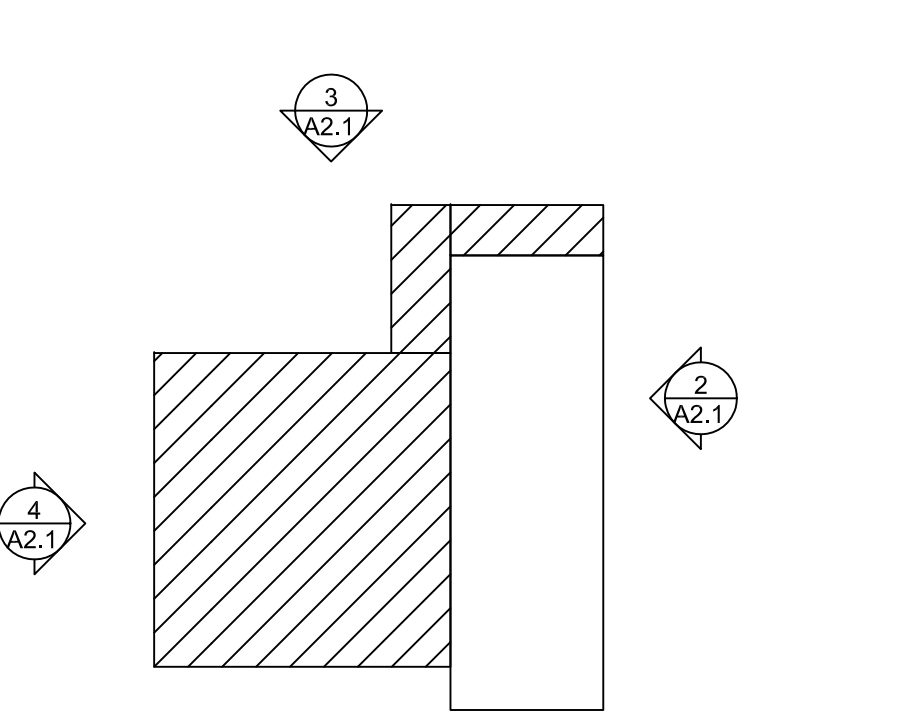
1 OVERALL SOUTH ELEVATION
A2.1 SCALE: 1/8" = 1'-0"



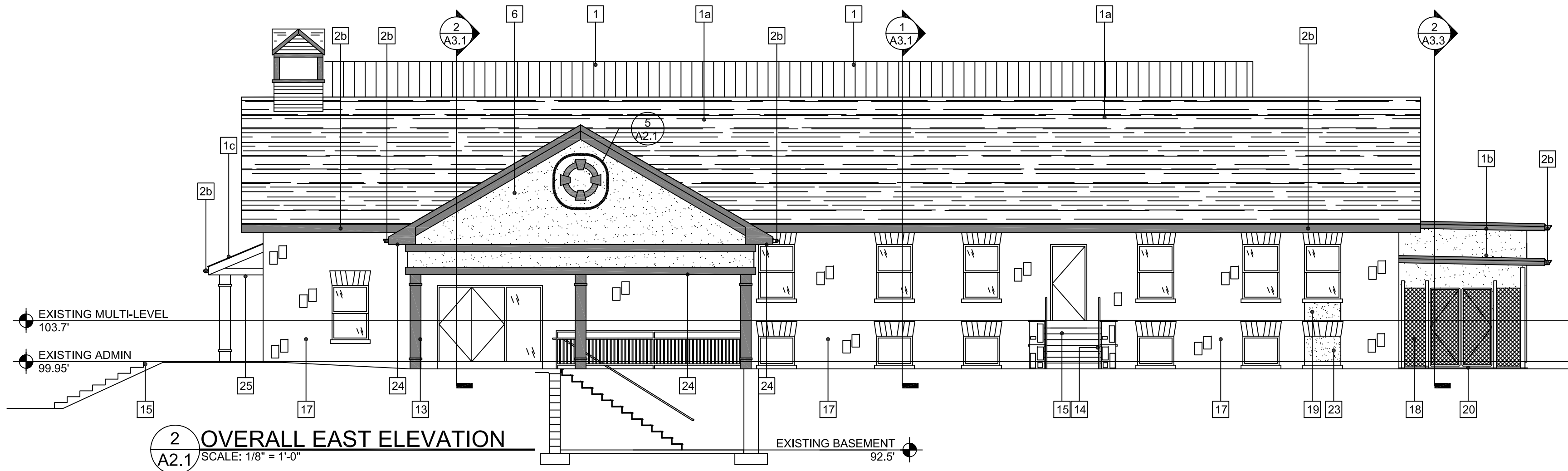
5 EIFS TRIM DETAILS
A2.1 3/4" = 1'-0"

EXTERIOR MATERIAL LEGEND

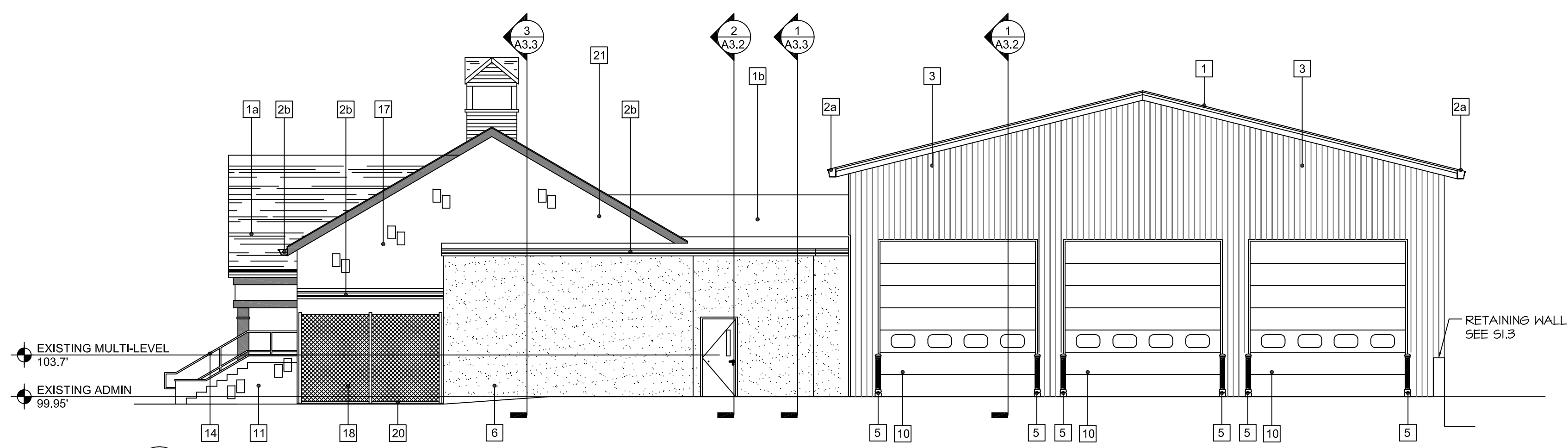
- 1 STANDING SEAM METAL ROOF:
BY PRE-ENGINEERED METAL BLDG. MANUFACTURER.
24 GAUGE MECHANICALLY SEALED VERTICAL LEG ROOF PANELS. VERTICAL LEGS SPACED AT 24" O.C.
COLOR:
- 1a 30 YR ARCHITECTURAL ASPHALT ROOF SHINGLES:
GAF TIMBERLINE COOL SERIES SHINGLE IN ANTIQUE SLATE
- 1b 15 YR FULLY ADHERED EPDM ROOFING MEMBRANE
COLOR: (SELECTED BY ARCHITECT)
- 1c 18" MEDALLION II STANDING SEAM MCELROY METAL ROOFING PANELS
COLOR: ASH GREY
- 2a METAL GUTTERS AND DOWNSPOUTS:
BY PRE-ENGINEERED METAL BLDG. MANUFACTURER
COLOR: SELECTED BY ARCHITECT (STANDARD COLORS)
- 2b 6" ALUMINUM HALF ROUND GUTTERS AND 4" CIRCULAR DOWNSPOUTS
COLOR: BERGER PEARL GRAY ON LUNAR WHITE TRIM COIL
(SUPPLIED BY ROOFING CONTRACTOR)
- 3 EXTERIOR METAL SIDING:
BY PRE-ENGINEERED METAL BLDG. MANUFACTURER
- 4 EXPOSED CMU FOUNDATION WALLS:
PAINTED TO MATCH COLOR:
- 5 6" DIA. CONCRETE FILLED STEEL BOLLARDS W/ IDEAL SHIELD
DECORATIVE BOLLARD COVER MODEL 6" CINCO - COLOR GREY
- 6 EIFS SYSTEM:
COLOR: FINAL FINISH AND COLOR TO BE SELECTED BY ARCHITECT
- 7 EIFS SYSTEM ACCENT:
COLOR: FINAL FINISH AND COLOR TO BE SELECTED BY ARCHITECT
- 8 EXTERIOR WALL SCOSCE AS SCHEDULED
- 9a CHANNEL LETTERS (BY OTHERS) FOLLOW ARC OF DOORS
- 9b BACKLIT CHANNEL LETTERS (BY OTHERS)
- 10 PNTD INSULATED OH DOOR AS SCHEDULED
- 11 2" REAL STONE VENEER TO MATCH EXISTING STONE
COLOR / PATTERN AS CLOSE AS REASONABLE.
- 12 BAY WINDOW UNIT AS SCHEDULED
- 13 TUBE STEEL COLUMN WRAPPED IN 5/4 BORAL EXTERIOR
TRIM (WOOD GRAIN) TO LOOK LIKE AN 8x8 POST AND PAINTED
- 14 PNTD STEEL RAILINGS
COLOR:
- 15 CONCRETE LANDING AND STAIR W/ BROOM FINISH AND SLOPED
AWAY FROM THE BUILDING 1/4" PER FOOT.
- 16 DBL. ROW CONTINUOUS MTL SNOW GUARD BARS TYPE S-5. INSTALL
PER MANUF. SPECIFICATIONS
COLOR:
- 17 EXISTING STONE VENEER TO REMAIN
- 18 8 FT HIGH GALV. CHAIN LINK FENCE W/ (2) 3 FT SWING GATES
- 19 DEMOLISH EXISTING DOOR. NEW WINDOW AS SCHEDULED. INFILL
REMAINING VOID SALVAGED STONE VENEER.
- 20 REINFORCED 4" MIN. THICKNESS CONCRETE PAD
- 21 DEMOLISH EXISTING STRUCTURE PER DEMO DRAWINGS
- 22 HOSE BIB
- 23 DEMOLISH EXISTING WINDOW. INFILL REMAINING
VOID SALVAGED STONE VENEER.
- 24 FULLY VENTED METAL SOFFIT
COLOR: SELECTED BY ARCHITECT (STANDARD COLORS)
- 25 FULLY VENTED METAL SOFFIT W/ 6" RECESSED LIGHTS
COLOR: SELECTED BY ARCHITECT (STANDARD COLORS)
- 26 GOOSE NECK STYLE LIGHTS
STYLE: SELECTED BY ARCHITECT



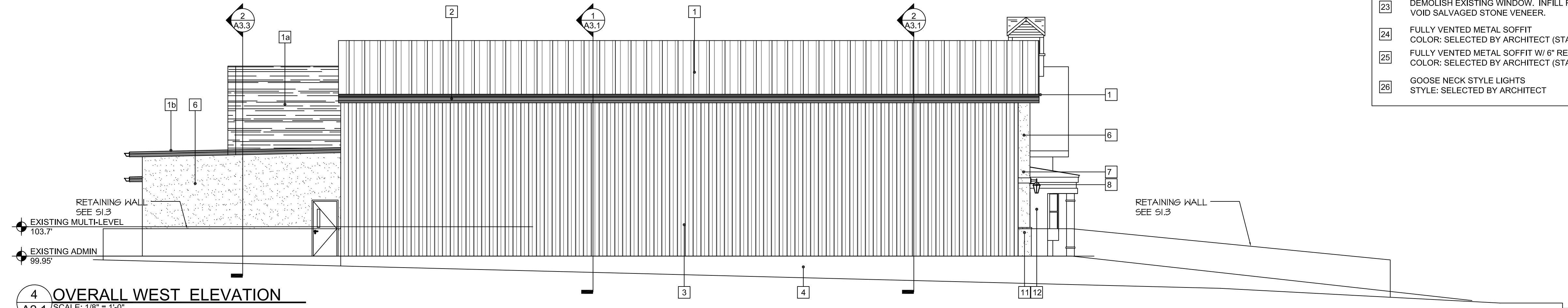
KEY PLAN
SCALE: N.T.S.



2 OVERALL EAST ELEVATION
A2.1 SCALE: 1/8" = 1'-0"



3 OVERALL NORTH ELEVATION
A2.1 SCALE: 1/8" = 1'-0"



4 OVERALL WEST ELEVATION
A2.1 SCALE: 1/8" = 1'-0"

11/10/2015 - REVIEW SET